

Artistico | *Decorative*



APPLICAZIONI SU PALO APPLICATIONS ON POLES

La linea "decorative" di AEC è sintesi di un'accurata ricerca sulle moderne tecnologie industriali applicate all'arte dei maestri artigiani. Una collezione di candelabri in ghisa e corpi illuminanti dai decori in stile classico, in grado di valorizzare i centri storici delle nostre città conferendo loro uno stile senza tempo. Grazie alla diffusione della tecnologia LED, gli apparecchi della serie artistico si rinnovano, vestendo le nostre città di nuova luce.

The AEC "decorative" range is the synthesis of a detailed research in modern industrial technologies, applied to the art of master craftsmen. A collection of cast iron luminaires and lighting bodies with a classic European décor, capable of enhancing the old town centres of our cities, by giving them a timeless feeling. Thanks to the widespread LED technology, the units of the decorative range renew themselves, dressing our cities with new light.



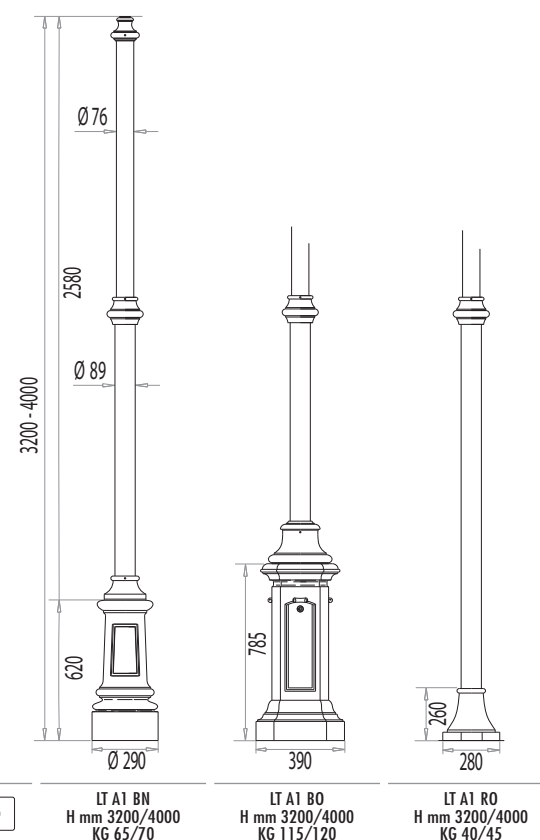
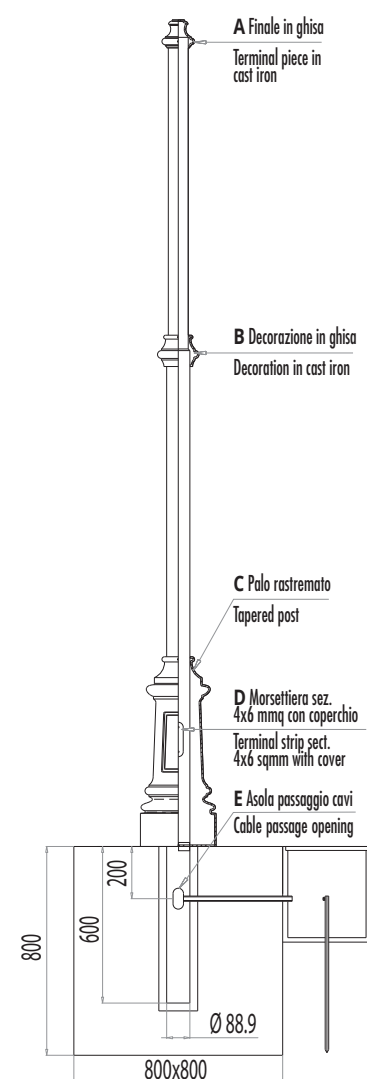
1



1. Florence (Italy)

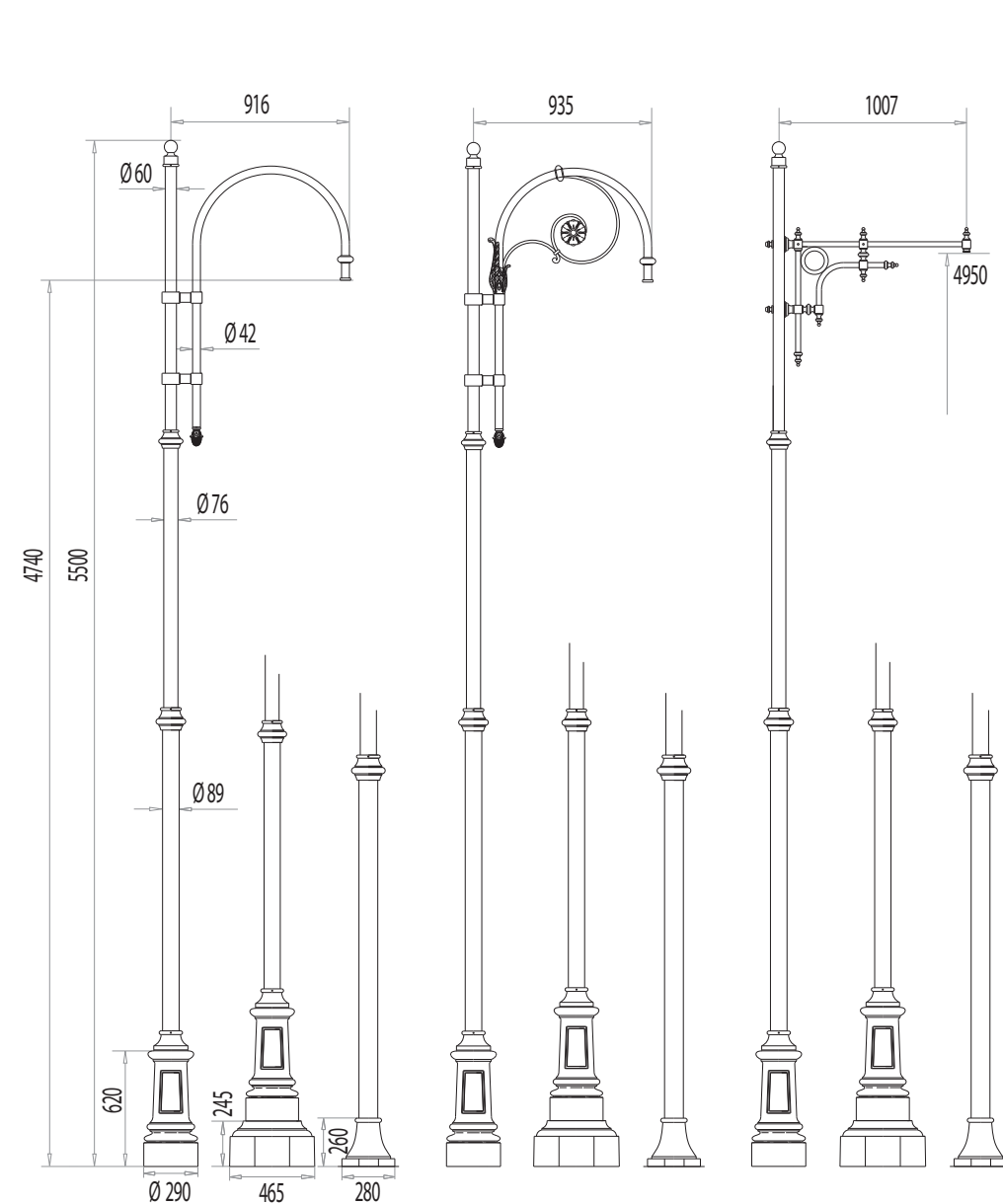


APPLICAZIONI SU PALO APPLICATIONS ON POLES

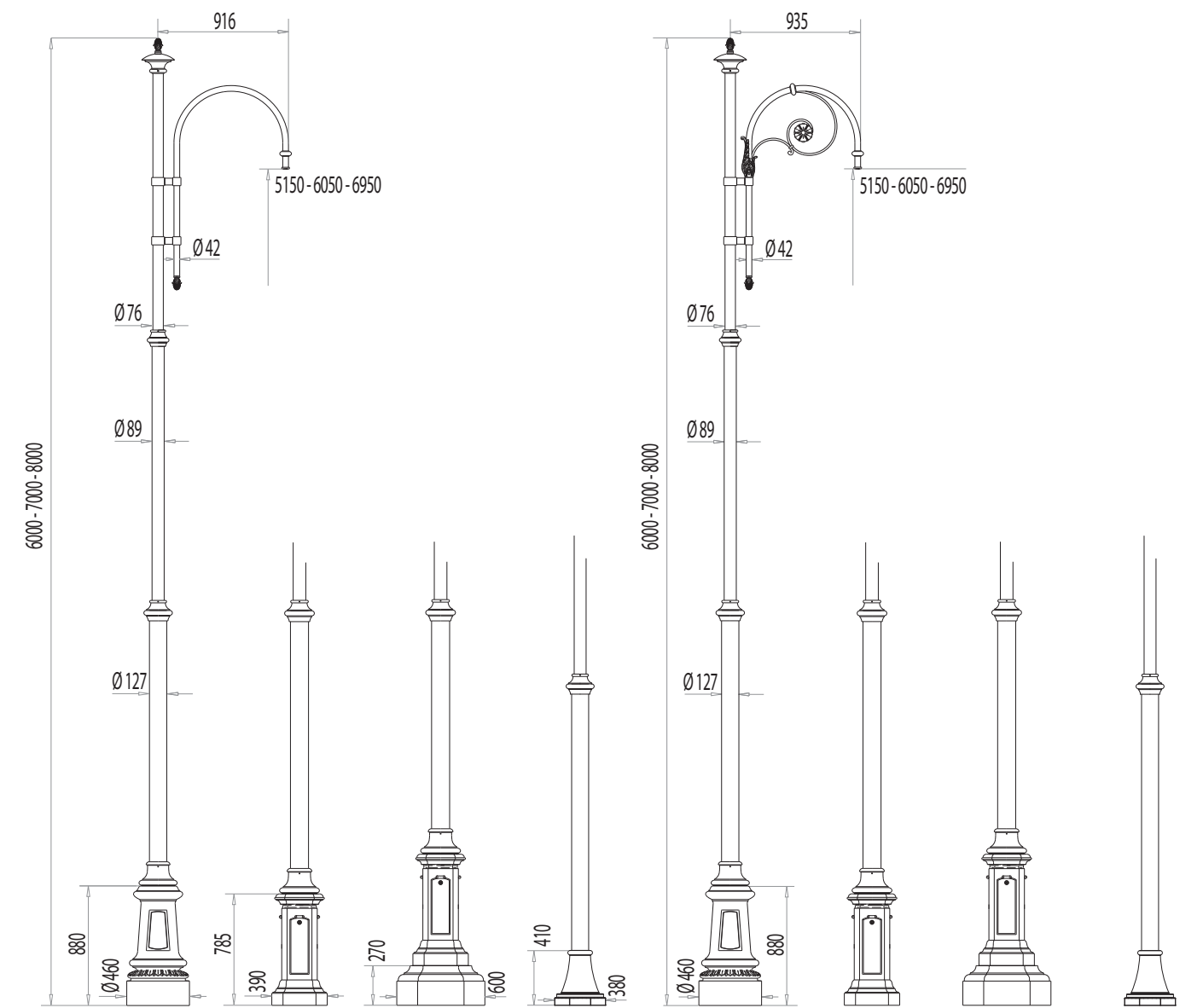


Modelli depositati | Registered design - Scala | Scale 1:30

APPLICAZIONI SU PALO APPLICATIONS ON POLES



□	LT S1 BN H mm 5500 KG 90	LT S1 SN H mm 5500 KG 115	LT S1 RO H mm 5500 KG 58	LT M1 BN H mm 5500 KG 100	LT M1 SN H mm 5500 KG 125	LT M1 RO H mm 5500 KG 68	LT L1 BN H mm 5500 KG 97	LT L1 SN H mm 5500 KG 122	LT L1 RO H mm 5500 KG 65
□	LT S2 BN H mm 5500 KG 100	LT S2 SN H mm 5500 KG 125	LT S2 RO H mm 5500 KG 68	LT M2 BN H mm 5500 KG 120	LT M2 SN H mm 5500 KG 145	LT M2 RO H mm 5500 KG 88			
□	LT S3 BN H mm 5500 KG 110	LT S3 SN H mm 5500 KG 135	LT S3 RO H mm 5500 KG 78	LT M3 BN H mm 5500 KG 130	LT M3 SN H mm 5500 KG 155	LT M3 RO H mm 5500 KG 98			

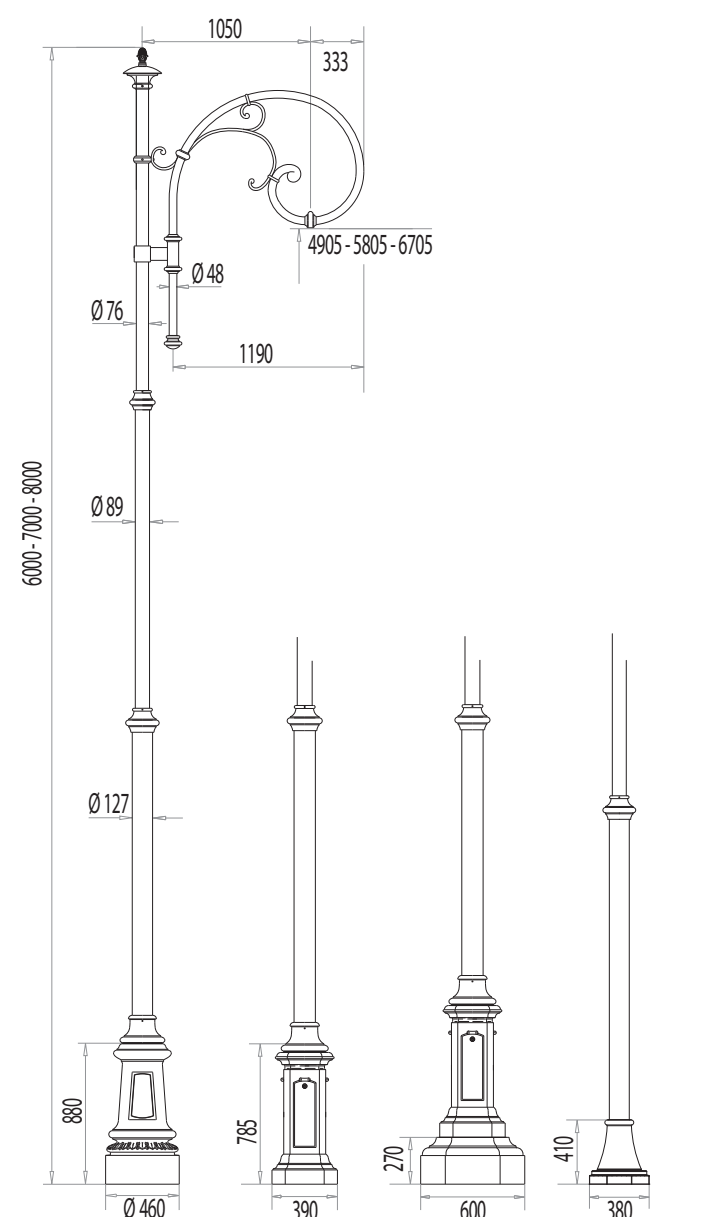


□	LT S1 BC6 H mm 6000 - KG 197	LT S1 B06 H mm 6000 - KG 188	LT S1 BT6 H mm 6000 - KG 242	LT S1 R06 H mm 6000 - KG 128	LT M1 BC6 H mm 6000 - KG 206	LT M1 B06 H mm 6000 - KG 197	LT M1 BT6 H mm 6000 - KG 251	LT M1 R06 H mm 6000 - KG 137
□	LT S1 BC7 H mm 7000 - KG 206	LT S1 B07 H mm 7000 - KG 197	LT S1 BT7 H mm 7000 - KG 251	LT S1 R07 H mm 7000 - KG 135	LT M1 BC7 H mm 7000 - KG 215	LT M1 B07 H mm 7000 - KG 206	LT M1 BT7 H mm 7000 - KG 260	LT M1 R07 H mm 7000 - KG 146
□	LT S1 BC8 H mm 8000 - KG 215	LT S1 B08 H mm 6000 - KG 206	LT S1 BT8 H mm 8000 - KG 260	LT S1 R08 H mm 8000 - KG 146	LT M1 BC8 H mm 8000 - KG 224	LT M1 B08 H mm 8000 - KG 215	LT M1 BT8 H mm 8000 - KG 269	LT M1 R08 H mm 8000 - KG 155
□	LT S2 BC6 H mm 6000 - KG 210	LT S2 B06 H mm 6000 - KG 201	LT S2 BT6 H mm 6000 - KG 255	LT S2 R06 H mm 6000 - KG 150	LT M2 BC6 H mm 6000 - KG 228	LT M2 B06 H mm 6000 - KG 219	LT M2 BT6 H mm 6000 - KG 273	LT M2 R06 H mm 6000 - KG 159
□	LT S2 BC7 H mm 7000 - KG 219	LT S2 B07 H mm 7000 - KG 210	LT S2 BT7 H mm 7000 - KG 264	LT S2 R07 H mm 7000 - KG 159	LT M2 BC7 H mm 7000 - KG 237	LT M2 B07 H mm 7000 - KG 228	LT M2 BT7 H mm 7000 - KG 282	LT M2 R07 H mm 7000 - KG 168
□	LT S2 BC8 H mm 8000 - KG 228	LT S2 B08 H mm 8000 - KG 219	LT S2 BT8 H mm 8000 - KG 273	LT S2 R08 H mm 8000 - KG 168	LT M2 BC8 H mm 8000 - KG 246	LT M2 B08 H mm 8000 - KG 237	LT M2 BT8 H mm 8000 - KG 291	LT M2 R08 H mm 8000 - KG 177
□	LT S3 BC6 H mm 6000 - KG 227	LT S3 B06 H mm 6000 - KG 218	LT S3 BT6 H mm 6000 - KG 272	LT S3 R06 H mm 6000 - KG 158	LT M3 BC6 H mm 6000 - KG 254	LT M3 B06 H mm 6000 - KG 245	LT M3 BT6 H mm 6000 - KG 299	LT M3 R06 H mm 6000 - KG 185
□	LT S3 BC7 H mm 7000 - KG 236	LT S3 B07 H mm 7000 - KG 227	LT S3 BT7 H mm 7000 - KG 281	LT S3 R07 H mm 7000 - KG 167	LT M3 BC7 H mm 7000 - KG 263	LT M3 B07 H mm 7000 - KG 254	LT M3 BT7 H mm 7000 - KG 308	LT M3 R07 H mm 7000 - KG 194
□	LT S3 BC8 H mm 8000 - KG 245	LT S3 B08 H mm 8000 - KG 236	LT S3 BT8 H mm 8000 - KG 290	LT S3 R08 H mm 8000 - KG 176	LT M3 BC8 H mm 8000 - KG 272	LT M3 B08 H mm 8000 - KG 263	LT M3 BT8 H mm 8000 - KG 317	LT M3 R08 H mm 8000 - KG 203

Modelli depositati | Registered design - Scala | Scale 1:40

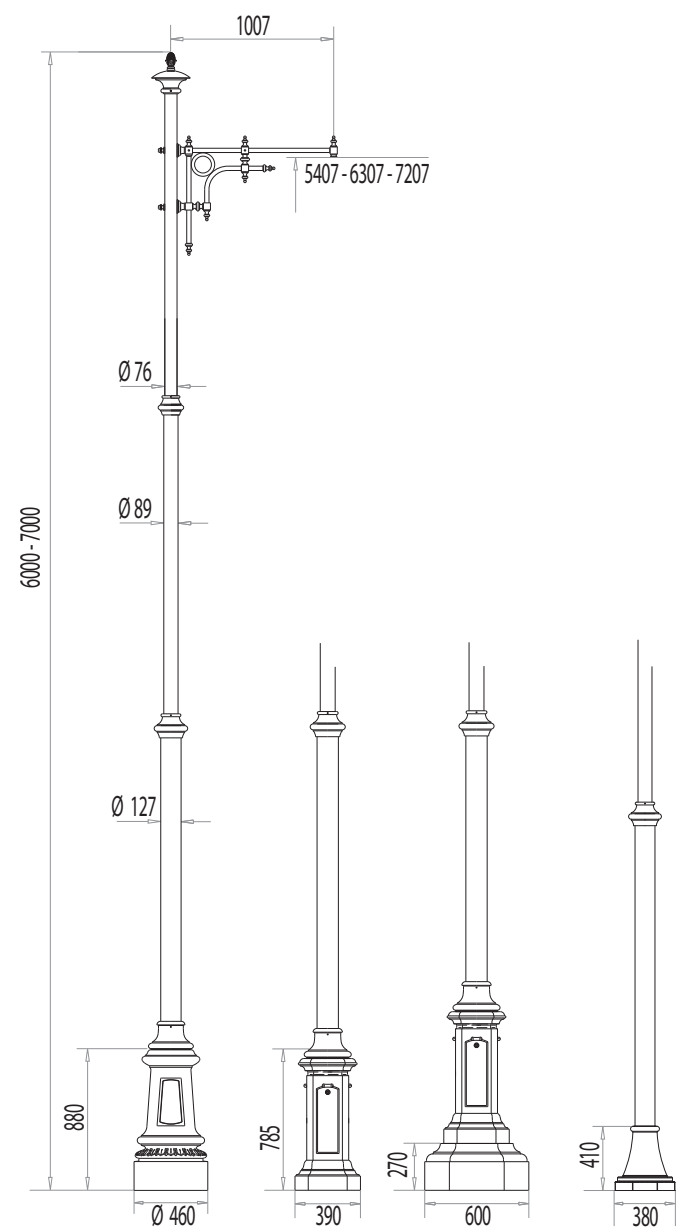
Modelli depositati | Registered design - Scala | Scale 1:40

APPLICAZIONI SU PALO APPLICATIONS ON POLES



□	LT P1 BC6 H mm 6000 - KG 213	LT P1 B06 H mm 6000 - KG 204	LT P1 BT6 H mm 6000 - KG 258	LT P1 R06 H mm 6000 - KG 144
□	LT P1 BC7 H mm 7000 - KG 222	LT P1 B07 H mm 7000 - KG 213	LT P1 BT7 H mm 7000 - KG 267	LT P1 R07 H mm 7000 - KG 153
□	LT P1 BC8 H mm 8000 - KG 231	LT P1 B08 H mm 8000 - KG 222	LT P1 BT8 H mm 8000 - KG 276	LT P1 R08 H mm 8000 - KG 162
□	LT P2 BC6 H mm 6000 - KG 243	LT P2 B06 H mm 6000 - KG 234	LT P2 BT6 H mm 6000 - KG 288	LT P2 R06 H mm 6000 - KG 174
□	LT P2 BC7 H mm 7000 - KG 252	LT P2 B07 H mm 7000 - KG 243	LT P2 BT7 H mm 7000 - KG 297	LT P2 R07 H mm 7000 - KG 183
□	LT P2 BC8 H mm 8000 - KG 261	LT P2 B08 H mm 8000 - KG 252	LT P2 BT8 H mm 8000 - KG 306	LT P2 R08 H mm 8000 - KG 192
□	LT P3 BC6 H mm 6000 - KG 275	LT P3 B06 H mm 6000 - KG 266	LT P3 BT6 H mm 6000 - KG 320	LT P3 R06 H mm 6000 - KG 206
□	LT P3 BC7 H mm 7000 - KG 284	LT P3 B07 H mm 7000 - KG 275	LT P3 BT7 H mm 7000 - KG 329	LT P3 R07 H mm 7000 - KG 215
□	LT P3 BC8 H mm 8000 - KG 293	LT P3 B08 H mm 8000 - KG 284	LT P3 BT8 H mm 8000 - KG 338	LT P3 R08 H mm 8000 - KG 224

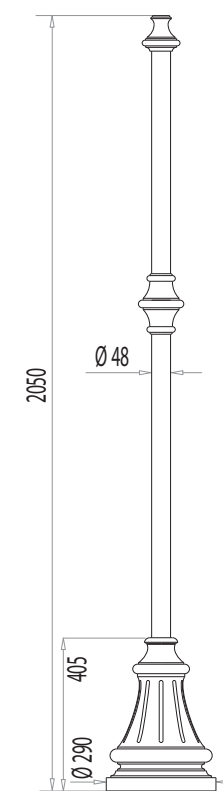
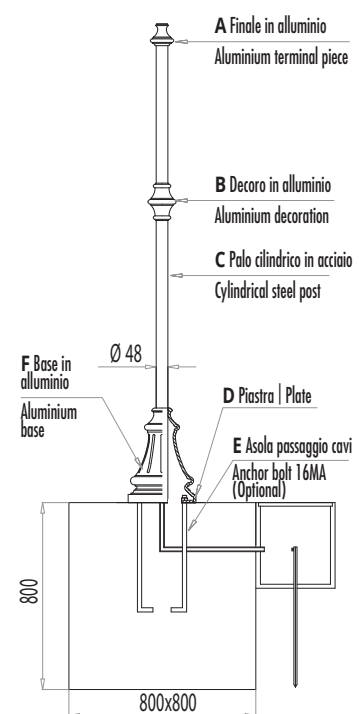
Modelli depositati | Registered design - Scala | Scale 1:40



□	LT L1 BC6 H mm 6000 - KG 203	LT L1 B06 H mm 6000 - KG 194	LT L1 BT6 H mm 6000 - KG 248	LT L1 R06 H mm 6000 - KG 134
□	LT L1 BC7 H mm 7000 - KG 212	LT L1 B07 H mm 7000 - KG 203	LT L1 BT7 H mm 7000 - KG 257	LT L1 R07 H mm 7000 - KG 143

Modelli depositati | Registered design - Scala | Scale 1:40

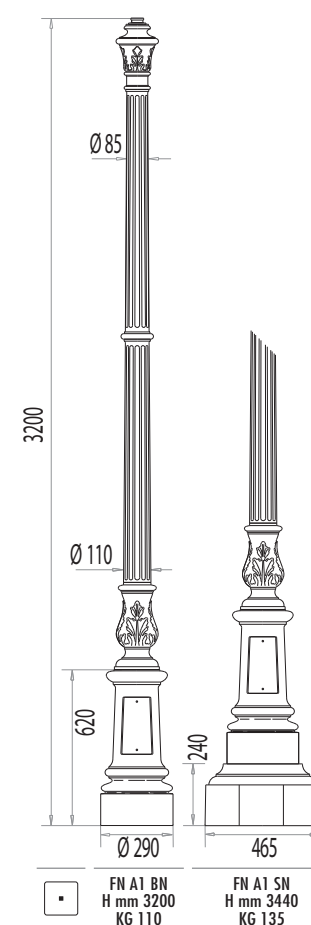
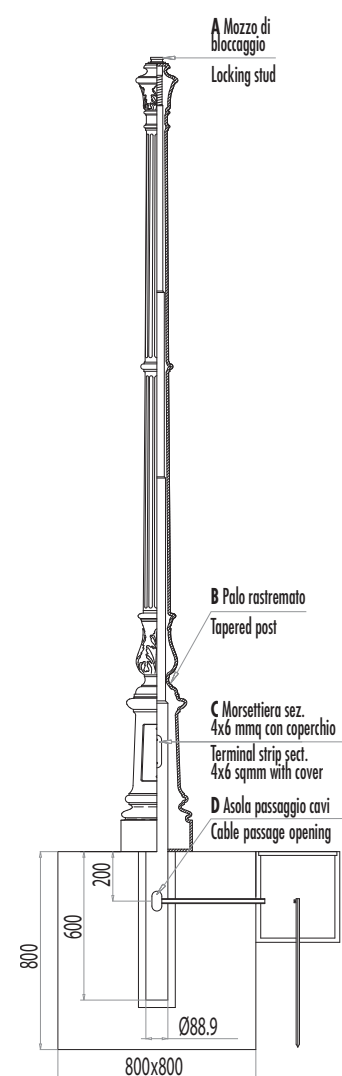
APPLICAZIONI SU PALO APPLICATIONS ON POLES



SI 01 BS
 H mm 2050
 KG 22

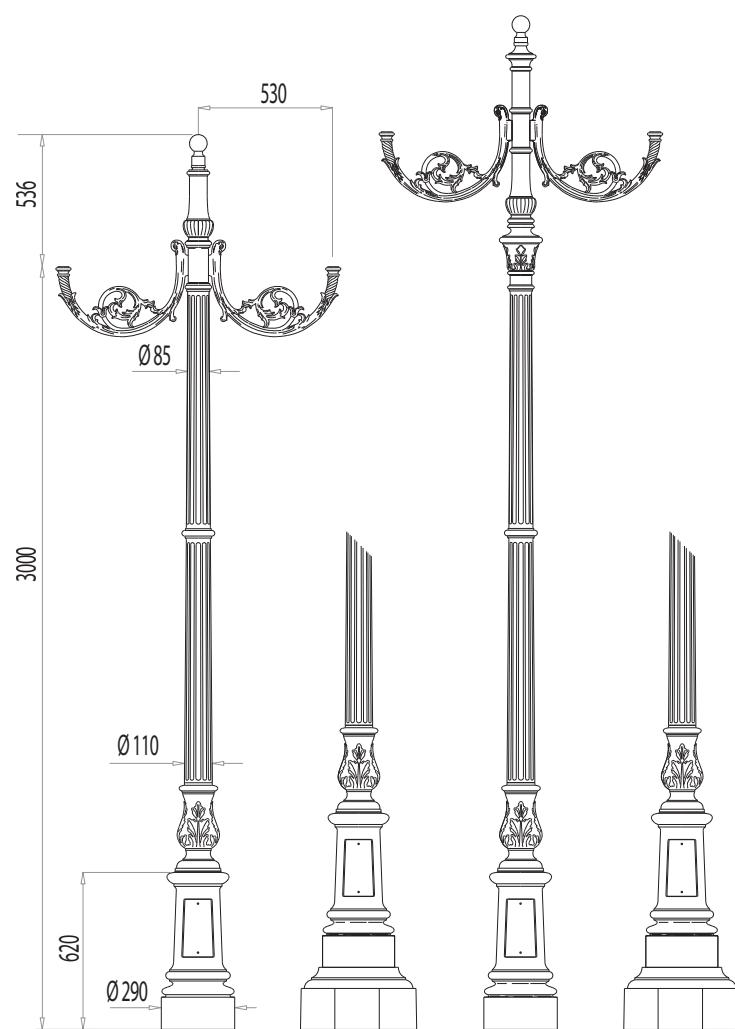
Modelli depositati | Registered design - Scala | Scale 1:30

APPLICAZIONI SU PALO APPLICATIONS ON POLES



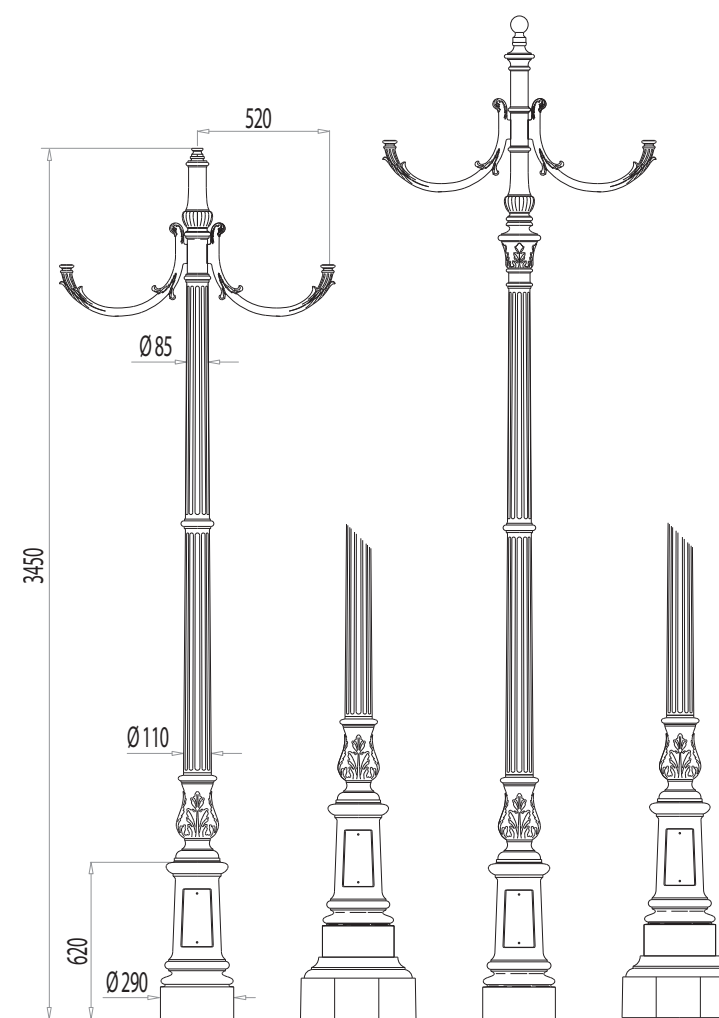
Modelli depositati | Registered design - Scala | Scale 1:30

APPLICAZIONI SU PALO APPLICATIONS ON POLES



☐	FN B2 BN H mm 3000 KG 136	FN B2 SN H mm 3250 KG 161	FN F2 BN H mm 3540 KG 141	FN F2 SN H mm 3790 KG 166
☐	FN B3 BN H mm 3000 KG 144	FN B3 SN H mm 3250 KG 169	FN F3 BN H mm 3540 KG 149	FN F3 SN H mm 3790 KG 174
☐	FN B4 BN H mm 3450 KG 136	FN B4 SN H mm 3700 KG 161	FN F4 BN H mm 3940 KG 141	FN F4 SN H mm 4190 KG 166
☐	FN B5 BN H mm 3450 KG 144	FN B5 SN H mm 3700 KG 169	FN F5 BN H mm 3940 KG 149	FN F5 SN H mm 4190 KG 174

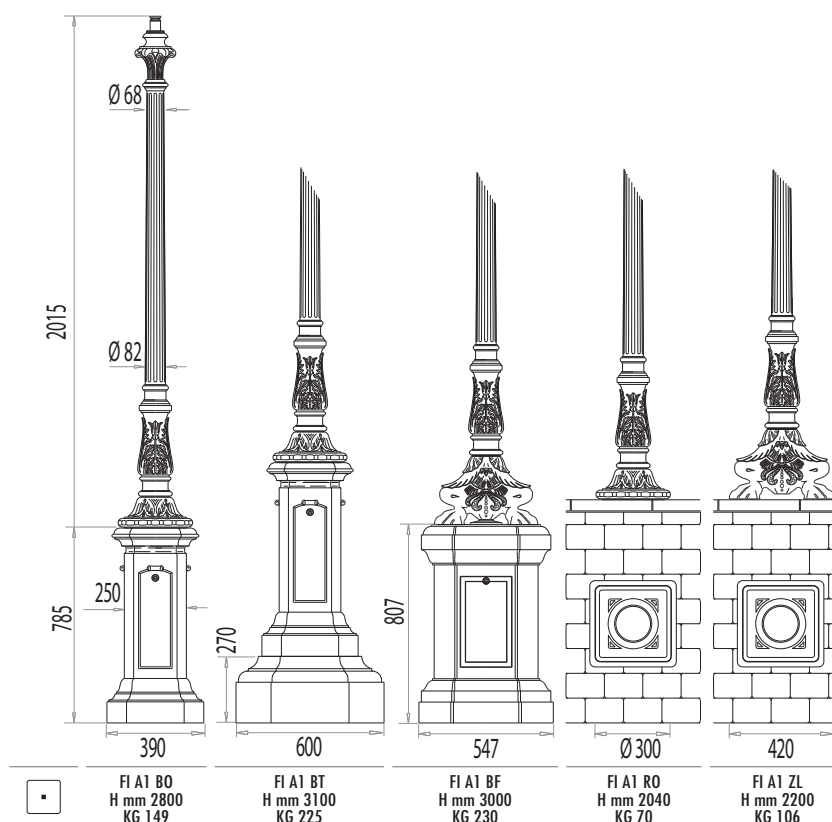
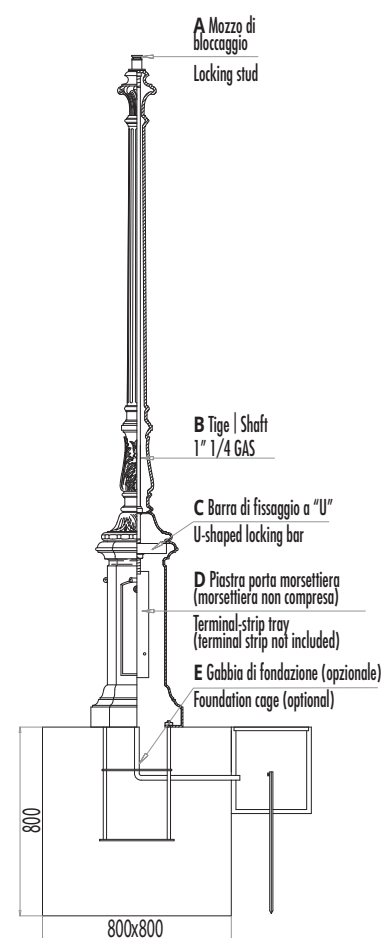
Modelli depositati | Registered design - Scala | Scale 1:40



☐	FN B5 BN H mm 3450 KG 144	FN E2 SN H mm 3210 KG 159	FN G2 BN H mm 3500 KG 139	FN G2 SN H mm 3750 KG 164
☐	FN E3 BN H mm 2960 KG 141	FN E3 SN H mm 3210 KG 166	FN G3 BN H mm 3500 KG 146	FN G3 SN H mm 3750 KG 171
☐	FN E4 BN H mm 3450 KG 134	FN E4 SN H mm 3700 KG 159	FN G4 BN H mm 3940 KG 139	FN G4 SN H mm 4190 KG 164
☐	FN E5 BN H mm 3450 KG 141	FN E5 SN H mm 3700 KG 166	FN G5 BN H mm 3940 KG 146	FN G5 SN H mm 4190 KG 171

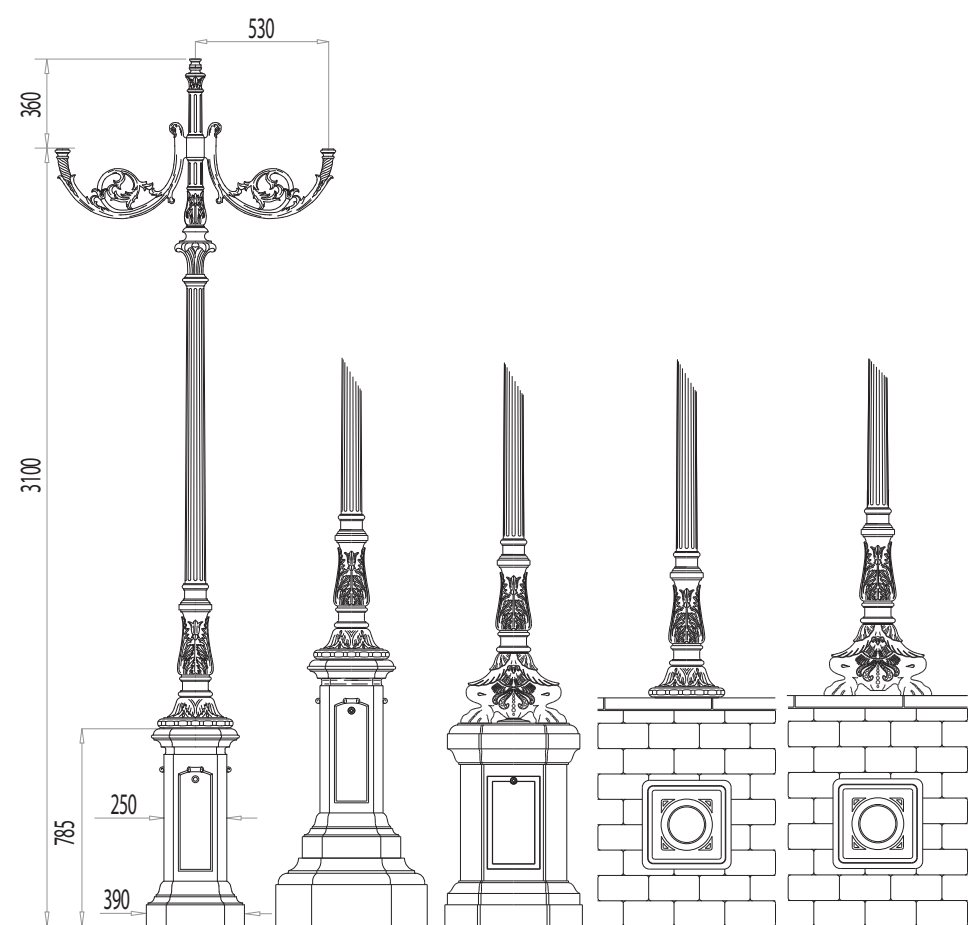
Modelli depositati | Registered design - Scala | Scale 1:40

APPLICAZIONI SU PALO APPLICATIONS ON POLES



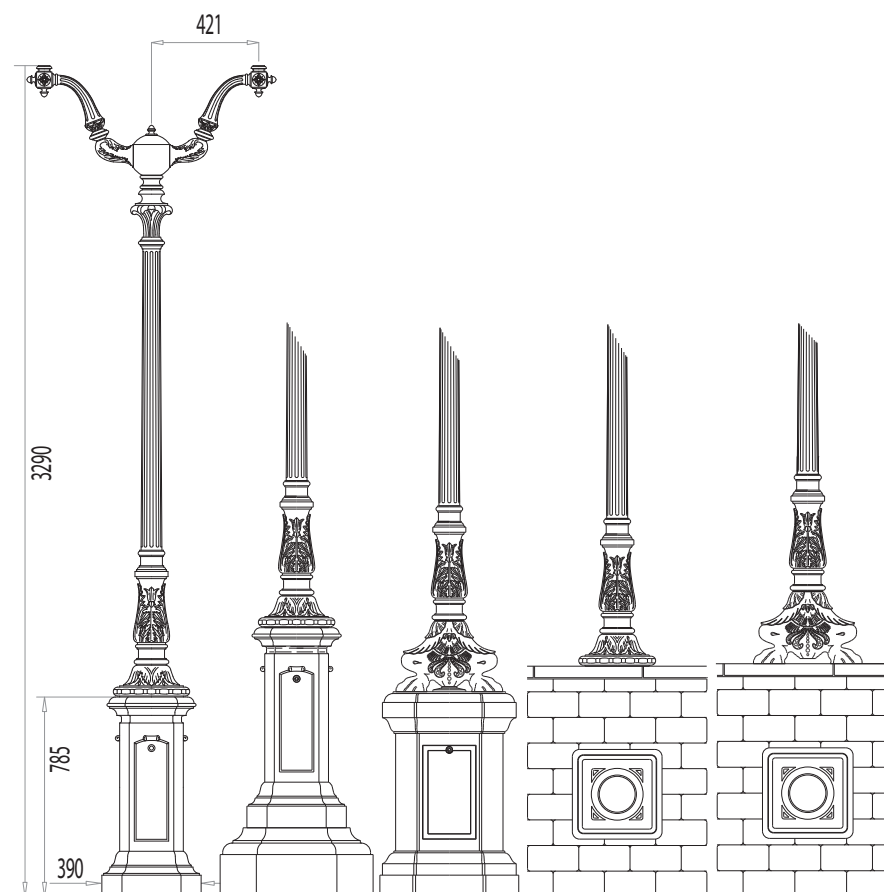
Modelli depositati | Registered design - Scala | Scale 1:30

APPLICAZIONI SU PALO APPLICATIONS ON POLES



	FI B2 BO H mm 3100 - KG 170	FI B2 BT H mm 3400 - KG 245	FI B2 BF H mm 3300 - KG 250	FI B2 RO H mm 2340 - KG 90	FI B2 ZL H mm 2500 - KG 128
	FI B3 BO H mm 3100 - KG 177	FI B3 BT H mm 3400 - KG 252	FI B3 BF H mm 3300 - KG 257	FI B3 RO H mm 2340 - KG 97	FI B3 ZL H mm 2500 - KG 135
	FI B4 BO H mm 3450 - KG 170	FI B4 BT H mm 3750 - KG 245	FI B4 BF H mm 3650 - KG 250	FI B4 RO H mm 2690 - KG 90	FI B4 ZL H mm 2850 - KG 128
	FI B5 BO H mm 3450 - KG 177	FI B5 BT H mm 3750 - KG 252	FI B5 BF H mm 3650 - KG 257	FI B5 RO H mm 2690 - KG 97	FI B5 ZL H mm 2850 - KG 135

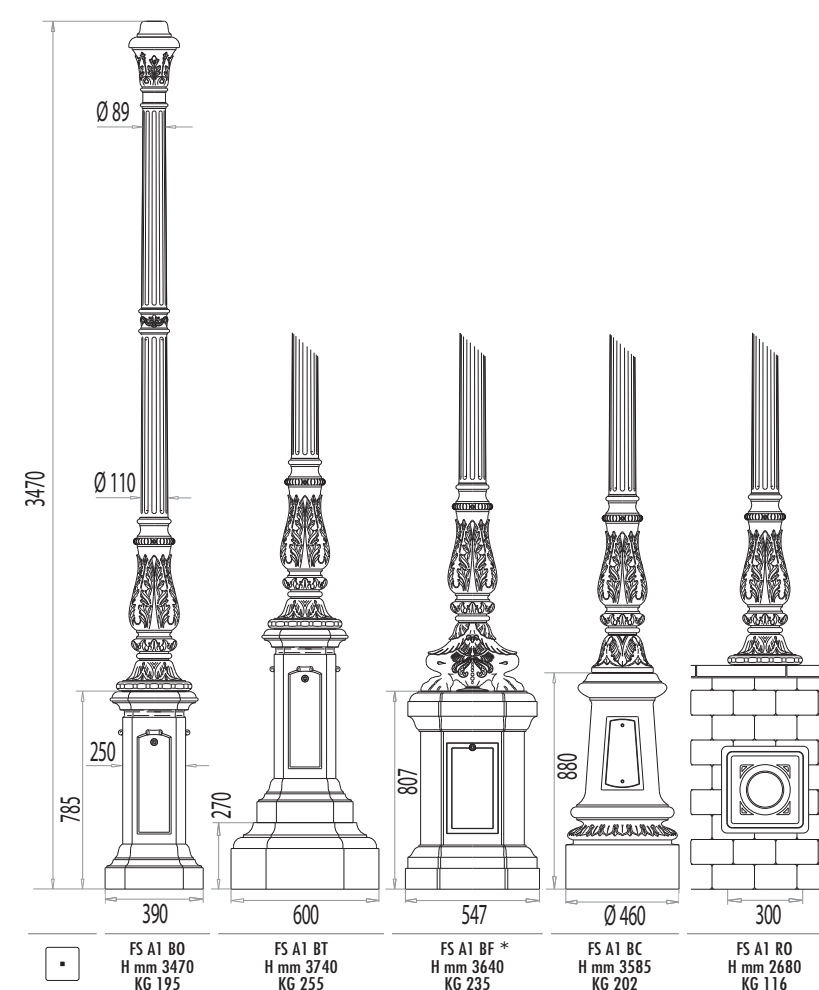
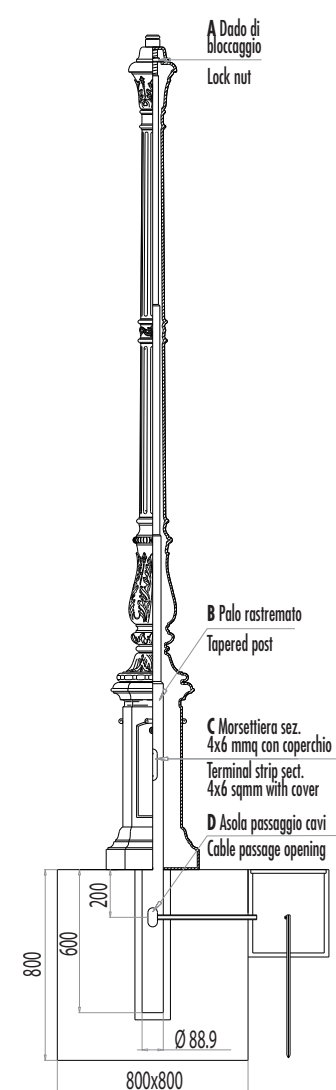
Modelli depositati | Registered design - Scala | Scale 1:30



	FI C2 BO H mm 3290 - KG 178	FI C2 BT H mm 3590 - KG 254	FI C2 BF H mm 3490 - KG 257	FI C2 RO H mm 2530 - KG 97	FI C2 ZL H mm 2690 - KG 136
	FI C3 BO H mm 3290 - KG 189	FI C3 BT H mm 3590 - KG 265	FI C3 BF H mm 3490 - KG 268	FI C3 RO H mm 2530 - KG 108	FI C3 ZL H mm 2690 - KG 147
	FI C4 BO H mm 3585 - KG 187	FI C4 BT H mm 3885 - KG 263	FI C4 BF H mm 3785 - KG 263	FI C4 RO H mm 2825 - KG 108	FI C4 ZL H mm 2985 - KG 145
	FI C5 BO H mm 3585 - KG 198	FI C5 BT H mm 3885 - KG 274	FI C5 BF H mm 3785 - KG 278	FI C5 RO H mm 2825 - KG 119	FI C5 ZL H mm 2985 - KG 156

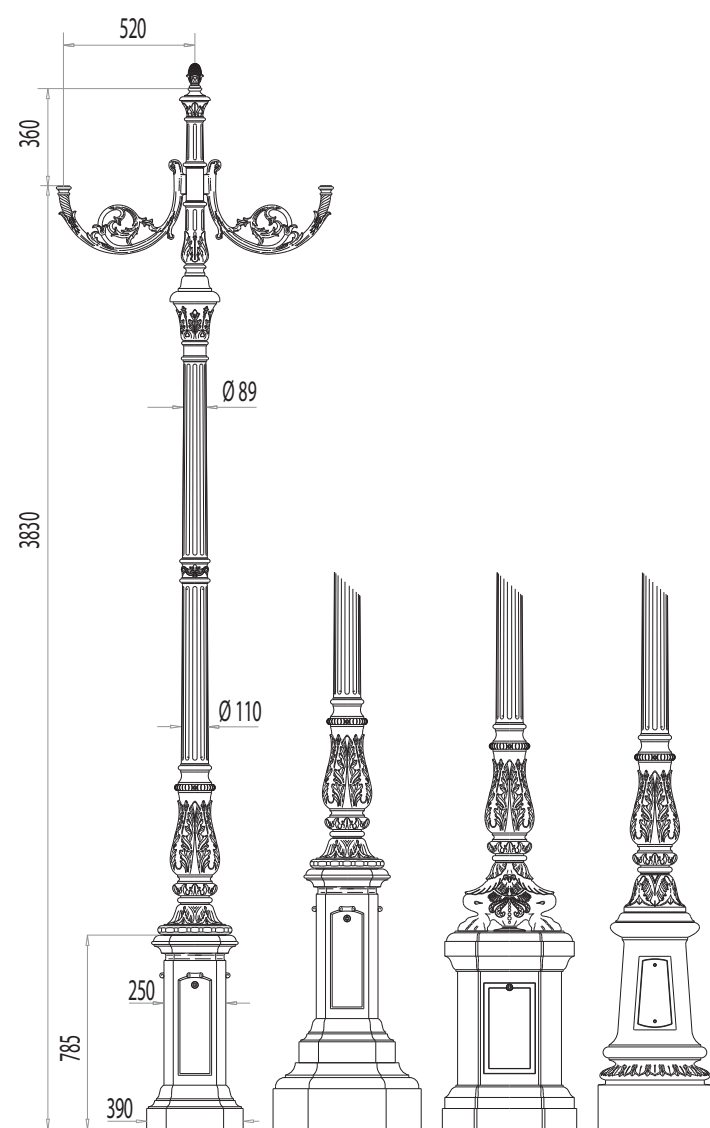
Modelli depositati | Registered design - Scala | Scale 1:30

APPLICAZIONI SU PALO APPLICATIONS ON POLES



Modelli depositati | Registered design - Scala | Scale 1:30

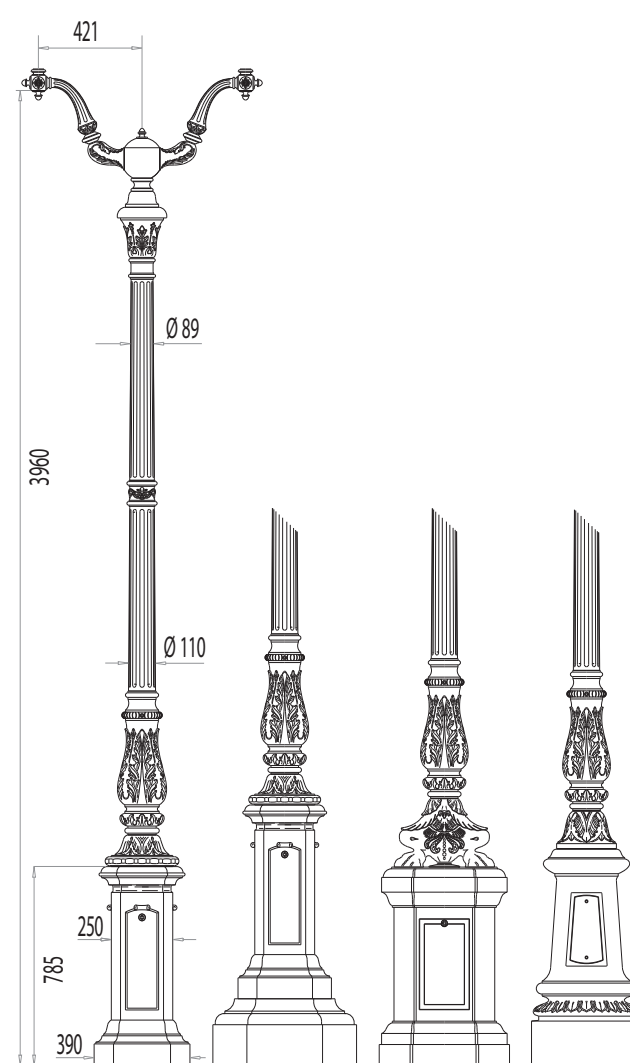
APPLICAZIONI SU PALO APPLICATIONS ON POLES



••	FS B2 BO H mm 3830 - KG 230	FS B2 BT H mm 4100 - KG 290	FS B2 BF* H mm 4000 - KG 270	FS B2 BC H mm 3945 - KG 237
•••	FS B3 BO H mm 3830 - KG 237	FS B3 BT H mm 4100 - KG 297	FS B3 BF H mm 4000 - KG 277	FS B3 BC H mm 3945 - KG 244
••••	FS B4 BO H mm 4220 - KG 230	FS B4 BT H mm 4490 - KG 290	FS B4 BF H mm 4390 - KG 270	FS B4 BC H mm 4335 - KG 237
•••••	FS B5 BO H mm 4220 - KG 237	FS B5 BT H mm 4490 - KG 297	FS B5 BF - H mm 4390 - KG 277	FS B5 BC H mm 4335 - KG 244

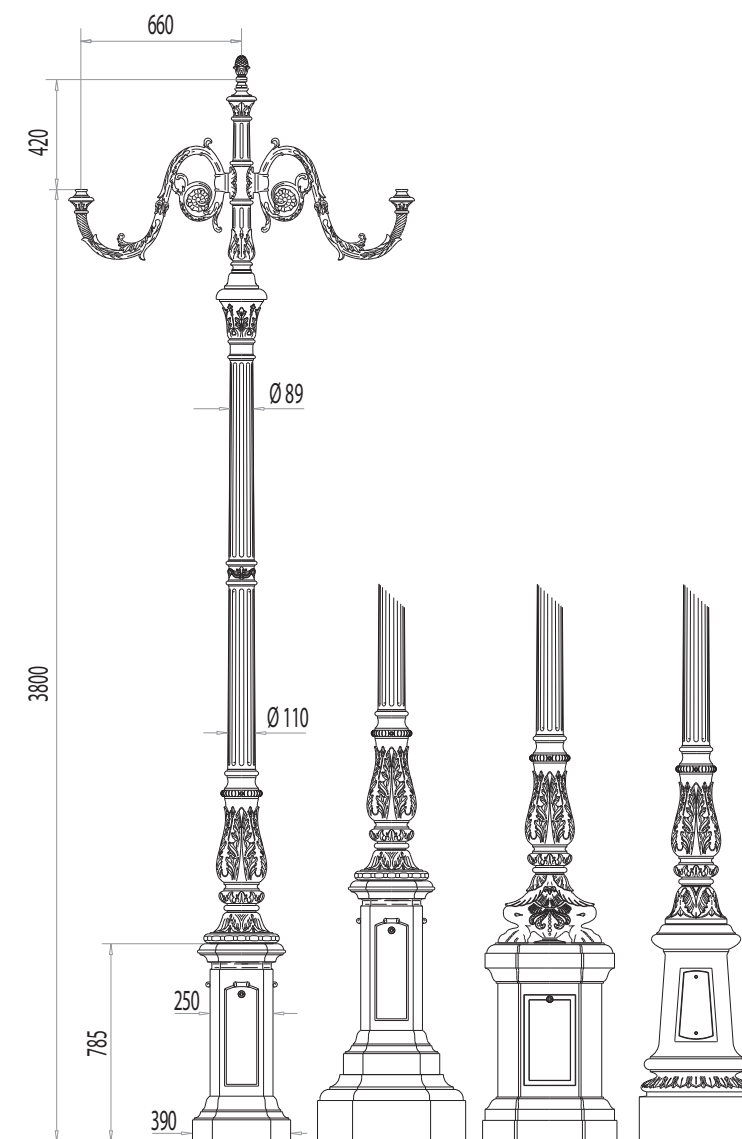
Modelli depositati | Registered design - Scala | Scale 1:30

Il disegno sopra si riferisce al sistema di montaggio per candelabri nelle versioni BO - BT - BC
*per base BF: kit di tirafondi fornito separatamente.
The drawing above refers to the mounting system for candelabra in BO - BT - BC versions.
* bf base: a kit of anchor bolts is separately supplied



••	FS C2 BO H mm 3960 - KG 225	FS C2 BT H mm 4230 - KG 285	FS C2 BF* H mm 4130 - KG 275	FS C2 BC H mm 4075 - KG 232
•••	FS C3 BO H mm 3960 - KG 236	FS C3 BT H mm 4230 - KG 296	FS C3 BF H mm 4130 - KG 286	FS C3 BC H mm 4075 - KG 243
••••	FS C4 BO H mm 4310 - KG 230	FS C4 BT H mm 4580 - KG 290	FS C4 BF H mm 4480 - KG 270	FS C4 BC H mm 4425 - KG 237
•••••	FS C5 BO H mm 4310 - KG 241	FS C5 BT H mm 4580 - KG 301	FS C5 BF H mm 4480 - KG 281	FS C5 BC H mm 4425 - KG 248

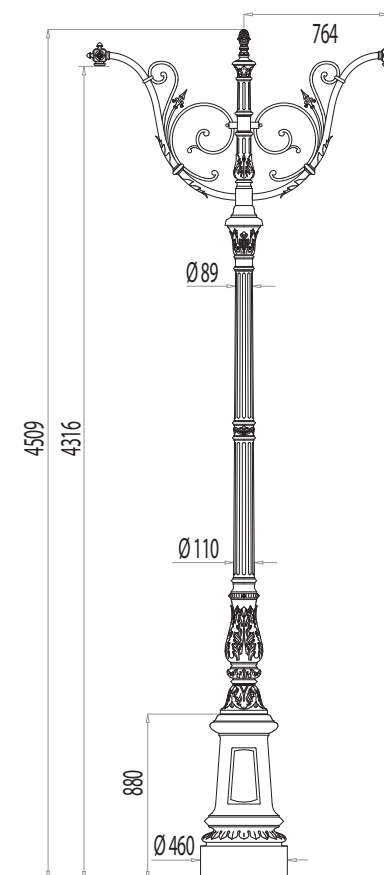
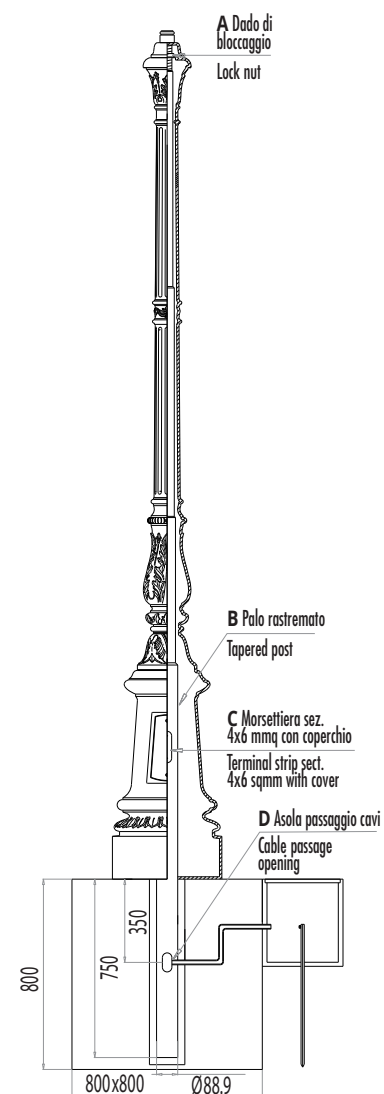
Modelli depositati | Registered design - Scala | Scale 1:30



••	FS D2 BO H mm 3800 - KG 240	FS D2 BT H mm 4070 - KG 300	FS D2 BF* H mm 3970 - KG 280	FS D2 BC H mm 3915 - KG 247
•••	FS D3 BO H mm 3800 - KG 254	FS D3 BT H mm 4070 - KG 314	FS D3 BF H mm 3970 - KG 294	FS D3 BC H mm 3915 - KG 261
••••	FS D4 BO H mm 4220 - KG 240	FS D4 BT H mm 4490 - KG 300	FS D4 BF H mm 4390 - KG 280	FS D4 BC H mm 4335 - KG 247
•••••	FS D5 BO H mm 4220 - KG 254	FS D5 BT H mm 4490 - KG 314	FS D5 BF H mm 4390 - KG 294	FS D5 BC H mm 4335 - KG 261

Modelli depositati | Registered design - Scala | Scale 1:30

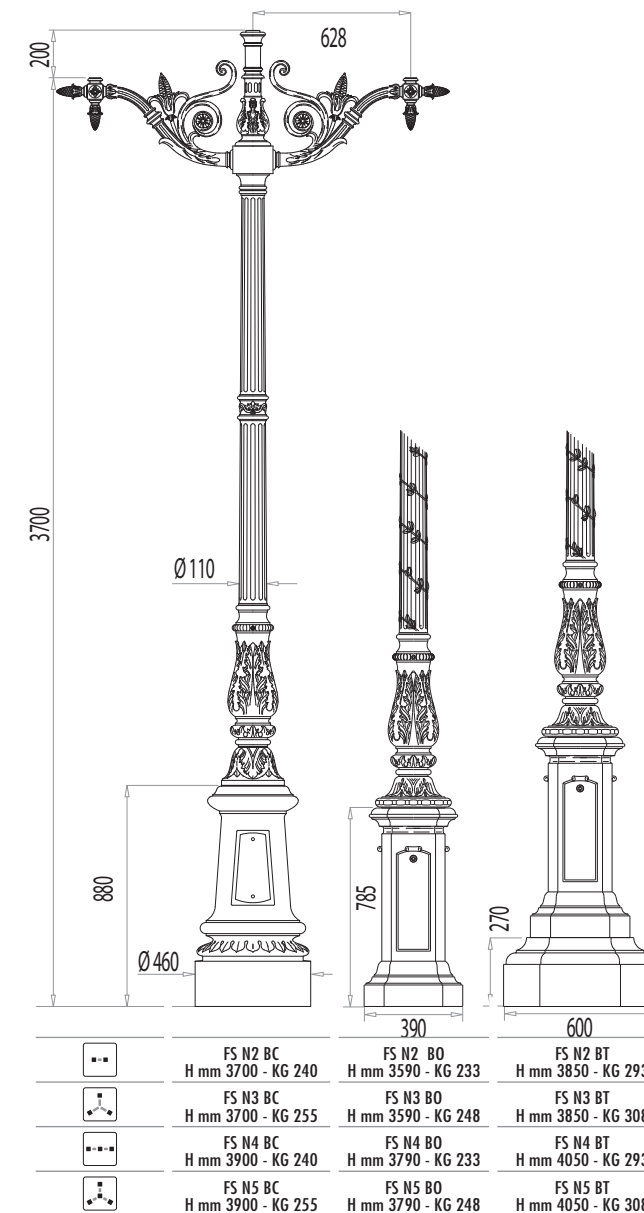
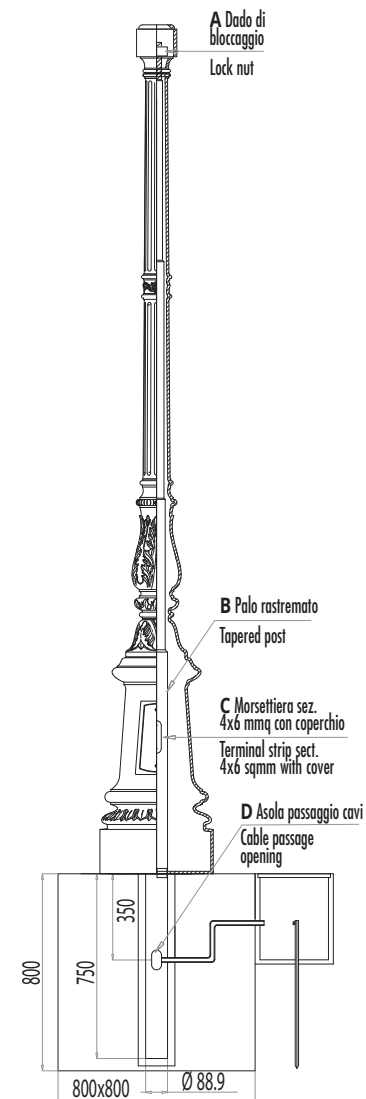
APPLICAZIONI SU PALO APPLICATIONS ON POLES



FS H2 BC H mm 4330 - KG 238	FS H3 BC H mm 4330 - KG 248	FS H4 BC H mm 4380 - KG 238	FS H5 BC H mm 4380 - KG 248

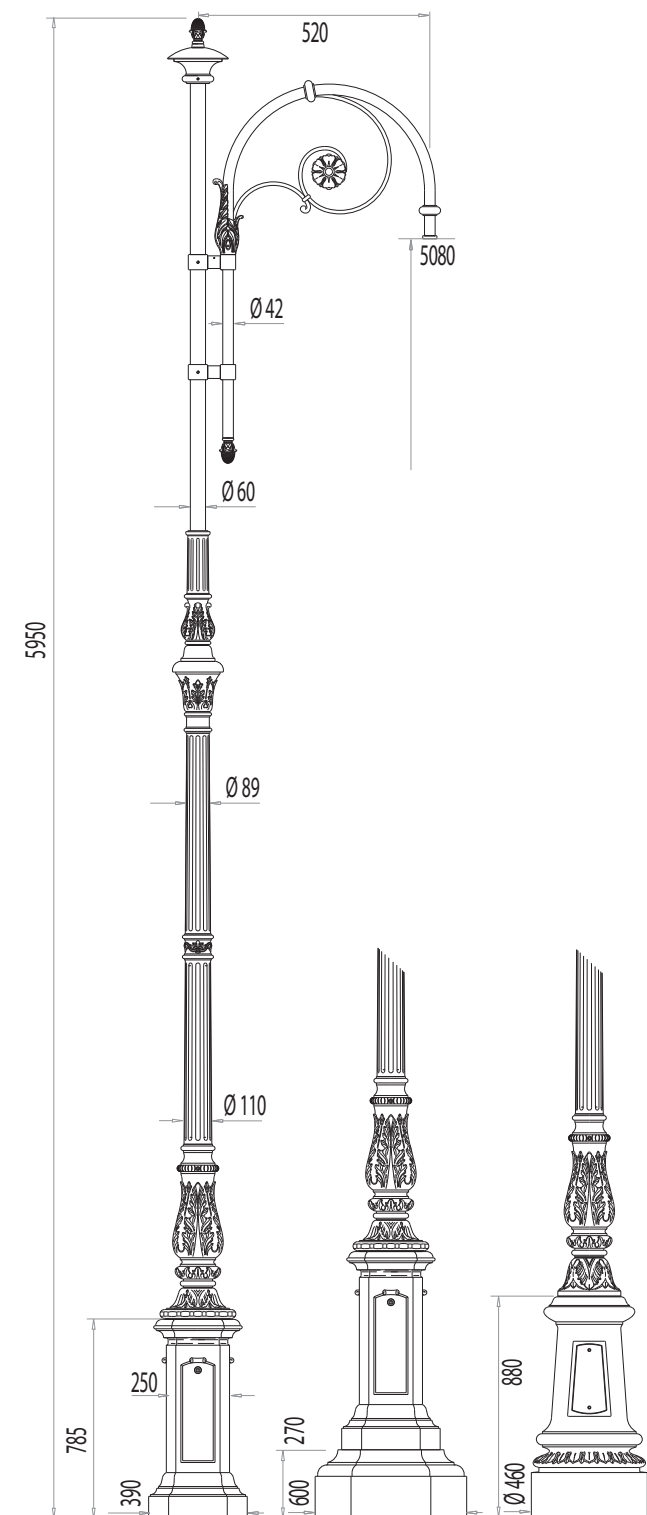
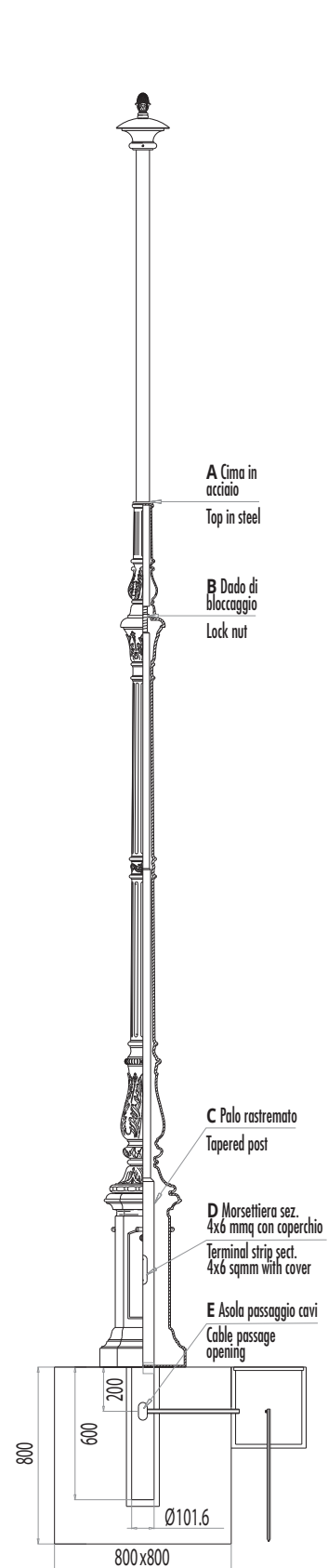
Modelli depositati | Registered design - Scala | Scale 1:40

APPLICAZIONI SU PALO APPLICATIONS ON POLES



Modelli depositati | Registered design - Scala | Scale 1:30

APPLICAZIONI SU PALO APPLICATIONS ON POLES



•	FG M1 BO H mm 5950 - KG 220	FG M1 BT H mm 6220 - KG 280	FG M1 BC H mm 6065 - KG 227
••	FG M2 BO H mm 5950 - KG 235	FG M2 BT H mm 6220 - KG 295	FG M2 BC H mm 6065 - KG 242
•••	FG M3 BO H mm 5950 - KG 249	FG M3 BT H mm 6220 - KG 309	FG M3 BC H mm 6065 - KG 256

Modelli depositati | Registered design - Scala | Scale 1:30

GRANDUCATO